

# UB033 3.3m (11ft) Merlin Fall Arrest Block

## Data Sheet



Choice of hook available

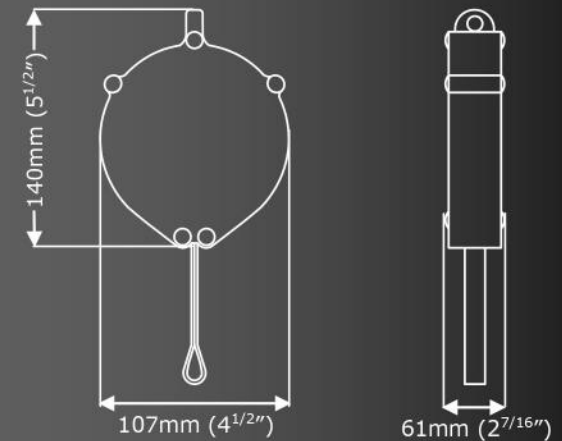
climb. work. rescue.

# I|S|C

SOLUTIONS IN METAL

All ISC Blocks have solid Aluminium Housings, proven to last all sorts of environments, from rental to off-shore. The internal mechanisms are simple, making them easily serviceable.

The UB033 Merlin Fall Arrest Block is available with a range of Snaphooks and Karabiners in Stainless Steel, Steel or Aluminium to suit custom applications. Swivel/fall indicating hooks are available.



<b>Weight</b>	1kg (2lbs)
<b>WLL</b>	136kg (300lb)
<b>Arrest Distance</b>	1372mm (54")
<b>Line Type</b>	Webbing
<b>Standards</b>	ANSI Z359:1:2007 EN360:2002