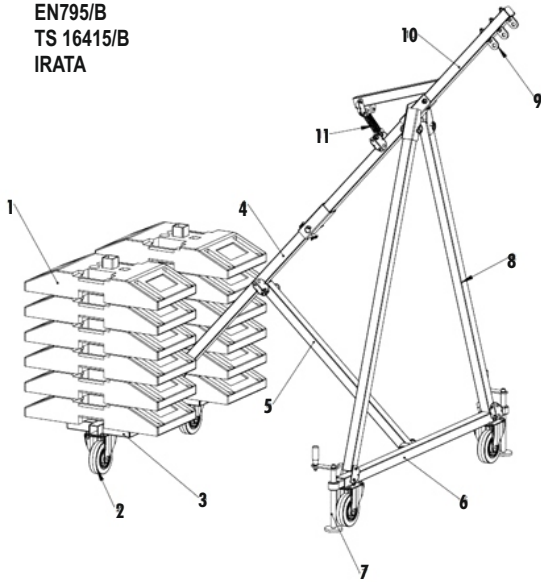




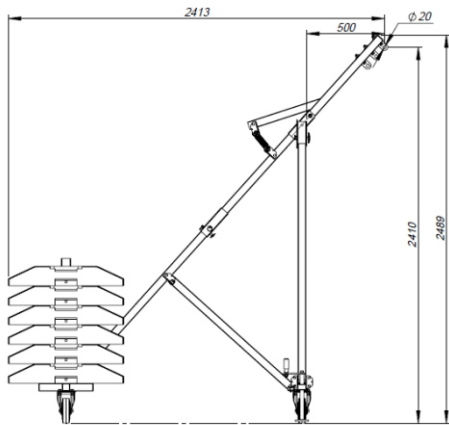
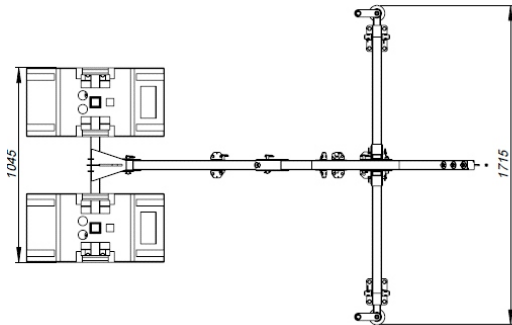
# MOBILE CANTILEVER ANCHOR POINT DW200

EN795/B  
TS 16415/B  
IRATA

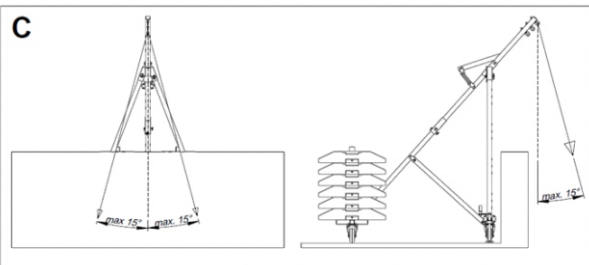
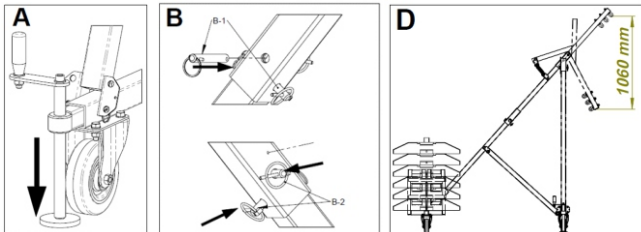
1



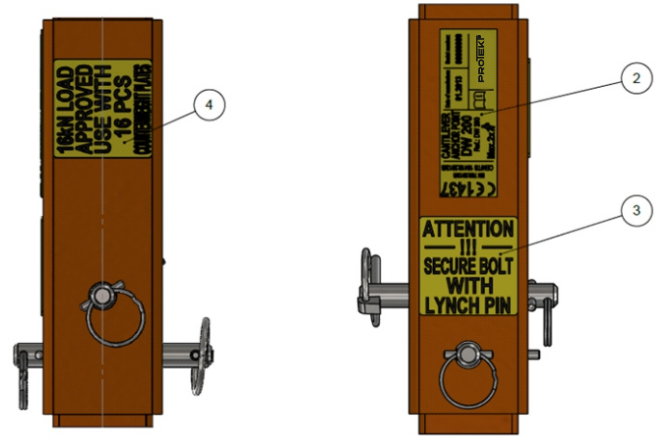
2



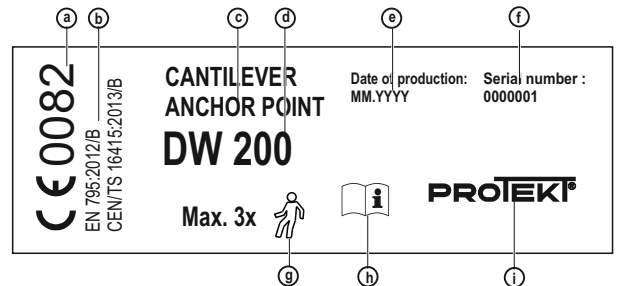
3



4



5



## EN

EN – NOTE: Before use of this device please read and understand this instruction manual.

### 1. GENERAL DESCRIPTION

DW 200 is a component of personal protective equipment against falls from a height complied with EN 795:2012 and TS 16415:2013 as anchor device type B.

It is used for connecting a fall arrest system (e.g. energy absorber to lanyards, fall arresters, cables of fall arresters) in accordance with Directive of the European Parliament 2001/45/EC. The device is suitable for protection of max. three people at the same time.

| NO | TABLE 4 - PARTS DESCRIPTION                | Quantity |
|----|--|----------|
| 1  | Counterweight                              | TABLE 2  |
| 2  | Rubber pad wheels 160mm                    | 4        |
| 3  | Rear beam (for counterweight installation) | 1        |
| 4  | Lower Jib                                  | 1        |
| 5  | Rear support                               | 1        |
| 6  | Front beam                                 | 1        |
| 7  | Support for front beam                     | 2        |
| 8  | Front support                              | 2        |
| 9  | Anchor point                               | 3        |
| 10 | Upper jib                                  | 1        |
| 11 | Energy absorber                            | 1        |

| Counterweight type       | TABLE 2 – COUNTERWEIGHT QUANTITY   |   |
|--------------------------|--|---|
|                          | Quantity [pcs]   |   |
|                          | EN 795 / TS 16415<br>14kN static test force<br>3 people at the same time | IRATA*<br>15kN static test force<br>2 people at the same time |
| 25kg counterweight plate | 12   | 14  |
| 20kg counterweight plate | 16   | 18  |

\*DW200 conform requirements of IRATA document F3.4 – Counterweight Anchors requirements (15kN static test force is required. Device was tested with force 16kN).

All components of the device are made of powder coated steel. Weight of each particular component is less than 25kg, enabling the device to be handled and installed by a single person. Wheels provided with the device facilitate positioning of the assembled frame at the work site. The device is intended for use on roofs and in places without window sills, in particular.



